

ALUMINUM OPEN CELL CEILING

(15 mm – 24 mm)

The Aluminum Open Cell ceiling of “Weiss Hellas – Interna S.A.” is manufactured by aluminum sheets, thickness 0,5mm, with polyester stove base, folded in a shape of “U”.

They fit together, forming a panel of dimensions 600 x 600 with 43 mm height.

The opening of the Open Cell starts from 75 x 75mm up to 200 x 200mm, from center to center, with clear opening 51mm.

RAW MATERIAL

1. Aluminum
2. Aluminum anodized

The suspension is achieved with a T-Bar System 15mm-24mm, which in turn are suspended via hanger wires 3mm or 4mm and adjustable hangers for the regulation of the height.

The ending in the wall is achieved with a wall Angle 20 x 20mm, forming a joint in the roof covering the T-Bar system. It looks like the entire roof consists of one cell network.

The Open Cell ceilings can be clipped in or out easily and can accept inner lighting, which diffuses from the openings of the Open Cells.

They are offered in white polyester color, in aluminum mat mirror color, in aluminum gold mirror color and in any other desirable colors upon request (black-red-brown-blue etc.).

OPENING DIMENSIONS OF OPEN CELL (15 mm)

75 x 75 x 43 mm (C7515)

100 x 100 x 43 mm (C10015)

120 x 120 x 43 mm (C12015)

150 x 150 x 43 mm (C15015)

200 x 200 x 43 mm (C20015)

PANEL DIMENSIONS OF OPEN CELL 600 x 600 x 43 mm

OPENING DIMENSIONS OF OPEN CELL (24 mm)

75 x 75 x 43 mm (C7524)

100 x 100 x 43 mm (C10024)

120 x 120 x 43 mm (C12024)

150 x 150 x 43 mm (C15024)

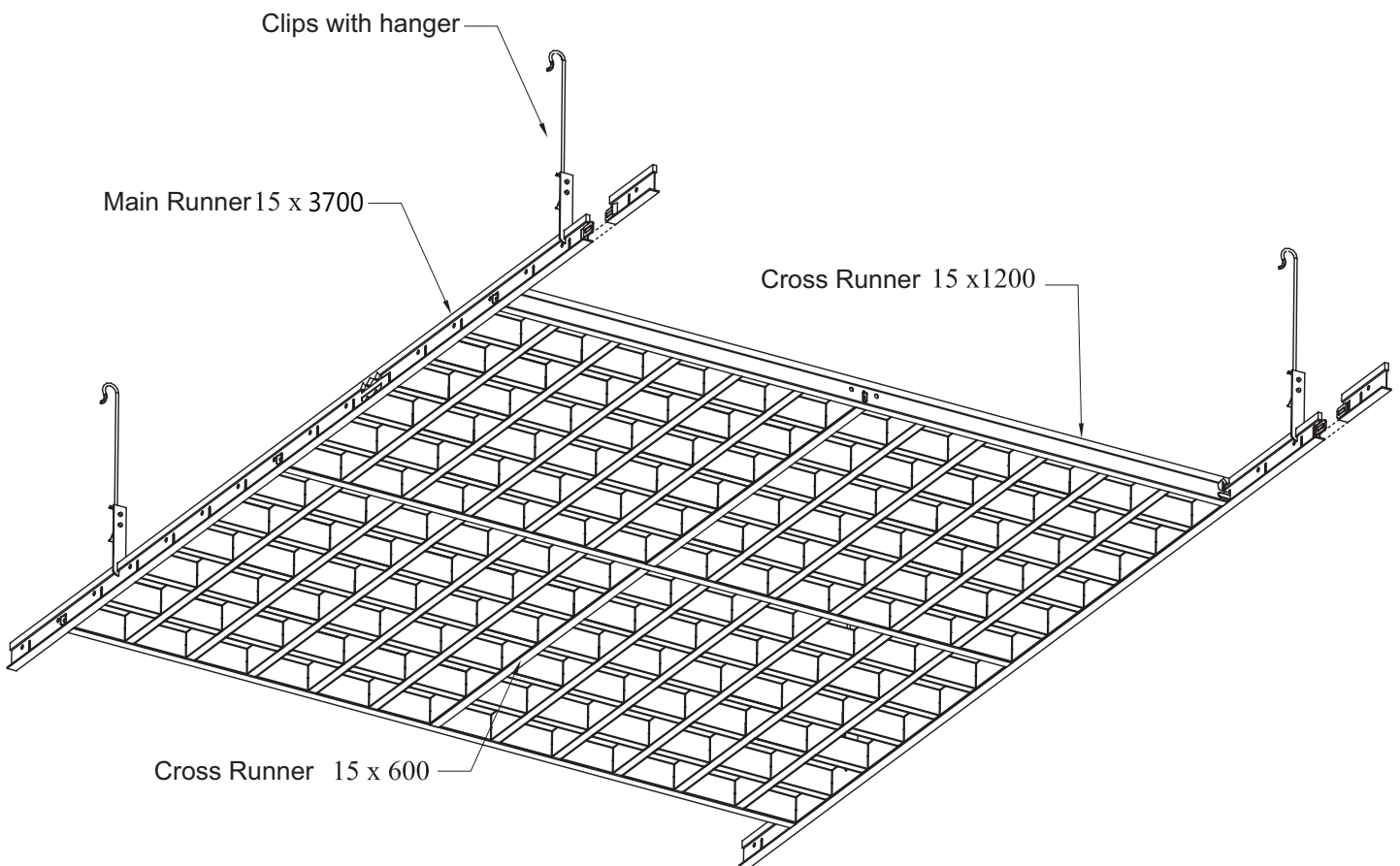
200 x 200 x 43 mm (C20024)

PANEL DIMENSIONS OF OPEN CELL 600 x 600 x 43 mm

APPLICATIONS

- ◇ HOTELS
- ◇ CRUISE SHIPS
- ◇ AIRPORTS
- ◇ SHOPS
- ◇ COMMERCIAL CENTERS/MALLS
- ◇ HOUSES
- ◇ BANKS

Open cell 15 mm / 100 x100 x 40



Open cell 24 mm / 100 x100 x 40

